

Disc brakes

Technical data and dimensions

Electrical power supply AC64-50 CA

Compact power supply operating on alternating single or two-phase mains.
For Stromag France Disc Brakes with 50 V coil.
type : 660/650-5K/5D-645-45K-4WD-4CA
Steel case

Operating Conditions:

- Casing protection standard IP66 IK09
- Ambient temperature : -20°C to +60°C

Electrical Data :

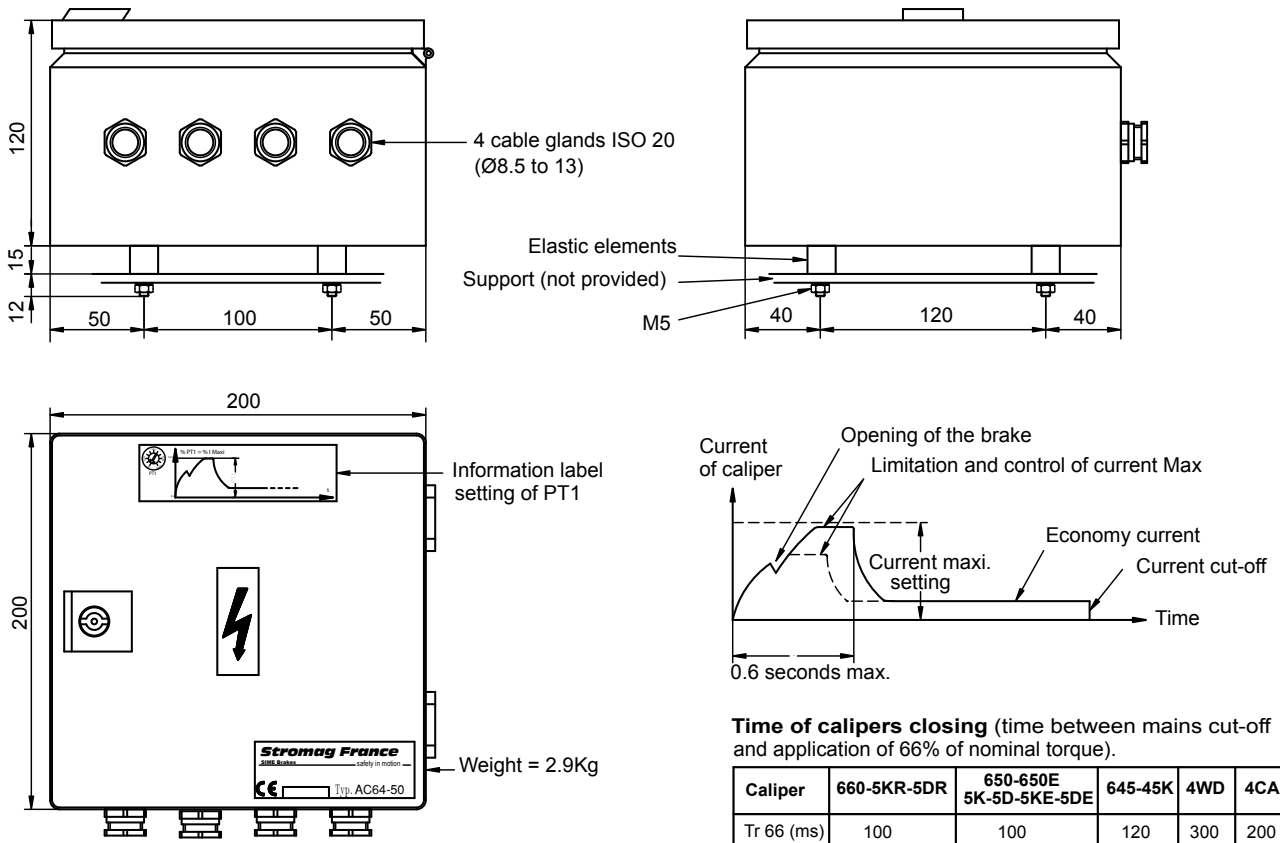
Single or two-phase mains AC
230 to 500V AC ± 10% 50/60Hz

EC marking of conformity :

- 2006/95/EC directive BT (standard EN60204-1)
- 2004/108/EC directive CEM (standards EN61000-6-2 EN61000-6-4)

Options:

- Closure delay of the caliper
- Disengageable closure delay of the caliper (cannot be combined with anti-condensation)
- Anti-condensation kit
- Polycarbonate case IP66 IK08



Due to continuous development and improvement, all dimensions and characteristics are subject to change without notice.

Disc brakes

Technical data and dimensions

Electrical power supply AC64-50 CA

Compact power supply operating on alternating single or two-phase mains.
For Stromag France Disc Brakes with 50 V coil.
type : 660/650-5K/5D-645-45K-4WD-4CA
Steel case

Operating Conditions:

- Casing protection standard IP66 IK09
- Ambient temperature : -20°C to +60°C

Electrical Data :

Single or two-phase mains AC
230 to 500V AC \pm 10% 50/60Hz

EC marking of conformity :

- 2006/95/EC directive BT (standard EN60204-1)
- 2004/108/EC directive CEM
(standards EN61000-6-2 EN61000-6-4)

Options:

- Closure delay of the caliper
- Disengageable closure delay of the caliper (cannot be combined with anti-condensation)
- Anti-condensation kit
- Polycarbonate case IP66 IK08

ELECTRICAL DANGER : THIS PRODUCT IS NOT INSULATED

Control and power electronic of power supply is not insulated and is under mains voltage. The power supply must be installed by qualified personnel, used to handle this equipment type and aware of risks inherent in their utilization.

Caliper		660-650-650E	5K-5D-5KR-5DR 5KE-5DE	645	45K	4WD	4CA					
Maximum number of calipers		2	2	2	2	2	1					
Resistance at 20°C per caliper (Ω)		6,68	6,68	4,52	4,52	4,52	3,08					
Maximum number of actuations per hour and ambient temperature θ	$\theta \leq 40^\circ\text{C}$	150	1000	150	1000	60	1000					
	$40^\circ\text{C} < \theta \leq 60^\circ\text{C}$	150	600	150	600	60	600					
Mains current absorbed per caliper	Max (A)	4	4	6	6	6	9					
	Economy (A)	0,6	0,6	0,75	0,75	0,75	1					
Maximum return resistance of the cable connecting the caliper to the power supply (Ω)		2	2	1	1	1	1 *					
Max. length of the connecting cable (Power supply - caliper) for 1 caliper per cable, depending on cable section	2,5 mm ² (m)	100	100	50	50	50	50 *					
	4 mm ² (m)	160	160	80	80	80	80 *					
	6 mm ² (m)	240	240	120	120	120	120 *					
Protection to be provided in head of control contactor on mains input	Number of caliper	1	2	1	2	1	2	1	2	1		
	Fuse aM (A)	1	2	1	2	2	4	2	4	2	4	4
	Circuit-breaker curve C (A)	1	2	1	2	2	4	2	4	2	4	4

* If the ambient temperature of the caliper 4CA is higher than 60°C, the maximum return resistance and the maximum length of the connecting cable given in the above table must be divided by 2.

Due to continuous development and improvement, all dimensions and characteristics are subject to change without notice.

Disc brakes

Technical data and dimensions

Electrical power supply AC64-50 CP

Compact power supply operating on alternating single or two-phase mains.
 For Stromag France Disc Brakes with 50 V coil.
 type : 660/650-5K/5D-645-45K-4WD-4CA
 Polycarbonate case

Electrical Data :
 Single or two-phase mains AC
 230 to 500V AC \pm 10% 50/60Hz

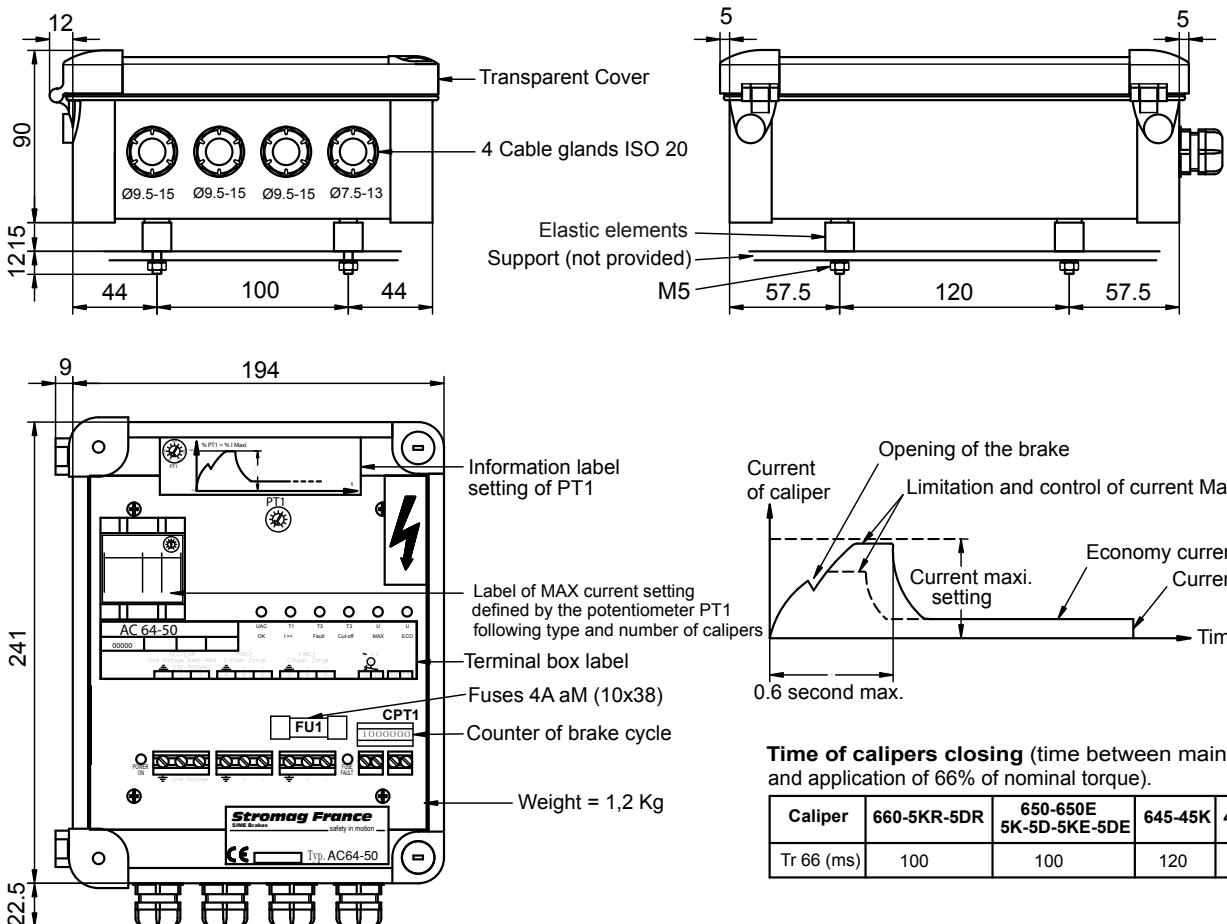
EC marking of conformity :
 - 2006/95/EC directive BT (standard EN60204-1)
 - 2004/108/EC directive CEM
 (standards EN61000-6-2 EN61000-6-4)

Options:

- Closure delay of the caliper
- Disengageable closure delay of the caliper (cannot be combined with anti-condensation)
- Anti-condensation kit
- Steel case IP66 IK09

Operating Conditions:

- Casing protection standard IP66 IK08
- Ambient temperature : -20°C to +60°C



Time of calipers closing (time between mains cut-off and application of 66% of nominal torque).

Caliper	660-5KR-5DR	650-650E 5K-5D-5KE-5DE	645-45K	4WD	4CA
Tr 66 (ms)	100	100	120	300	200

Due to continuous development and improvement, all dimensions and characteristics are subject to change without notice.

Disc brakes

Technical data and dimensions

Electrical power supply AC64-50 CP

Compact power supply operating on alternating single or two-phase mains.

For Stromag France Disc Brakes with 50 V coil.

type : 660/650-5K/5D-645-45K-4WD-4CA

Polycarbonate case

Operating Conditions:

- Casing protection standard IP66 IK08
- Ambient temperature : -20°C to +60°C

Electrical Data :

Single or two-phase mains AC
230 to 500V AC \pm 10% 50/60Hz

EC marking of conformity :

- 2006/95/EC directive BT (standard EN60204-1)
- 2004/108/EC directive CEM (standards EN61000-6-2 EN61000-6-4)

Options:

- Closure delay of the caliper
- Disengageable closure delay of the caliper (cannot be combined with anti-condensation)
- Anti-condensation kit
- Steel case IP66 IK09

ELECTRICAL DANGER : THIS PRODUCT IS NOT INSULATED

Control and power electronic of power supply is not insulated and is under mains voltage. The power supply must be installed by qualified personnel, used to handle this equipment type and aware of risks inherent in their utilization.

Caliper		660-650-650E	5K-5D-5KR-5DR 5KE-5DE	645	45K	4WD	4CA
Maximum number of calipers		2	2	2	2	2	1
Resistance at 20°C per caliper (Ω)		6,68	6,68	4,52	4,52	4,52	3,08
Maximum number of actuations per hour and ambient temperature θ	$\theta \leq 40^\circ\text{C}$	150	1000	150	1000	60	1000
	$40^\circ\text{C} < \theta \leq 60^\circ\text{C}$	150	600	150	600	60	600
Mains current absorbed per caliper	Max (A)	4	4	6	6	6	9
	Economy (A)	0,6	0,6	0,75	0,75	0,75	1
Maximum return resistance of the cable connecting the caliper to the power supply (Ω)		2	2	1	1	1	1 *
Max. length of the connecting cable (Power supply - caliper) for 1 caliper per cable, depending on cable section	2,5 mm ² (m)	100	100	50	50	50	50 *
	4 mm ² (m)	160	160	80	80	80	80 *
	6 mm ² (m)	240	240	120	120	120	120 *
Protection to be provided in head of control contactor on mains input	Number of caliper	1 2	1 2	1 2	1 2	1 2	1
	Fuse aM (A)	1 2	1 2	2 4	2 4	2 4	4
	Circuit-breaker curve C (A)	1 2	1 2	2 4	2 4	2 4	4

* If the ambient temperature of the caliper 4CA is higher than 60°C, the maximum return resistance and the maximum length of the connecting cable given in the above table must be divided by 2.

Due to continuous development and improvement, all dimensions and characteristics are subject to change without notice.

Disc brakes

Technical data and dimensions

Electrical power supply AC64-50 CA

Compact power supply operating on alternating single or two-phase mains.
For Stromag France Disc Brakes with 50 V coil.
type : 660/650-5K/5D-645-45K-4WD-4CA
Steel case

Operating Conditions:

- Casing protection standard IP66 IK09
- Ambient temperature : -20°C to +60°C

Electrical Data :

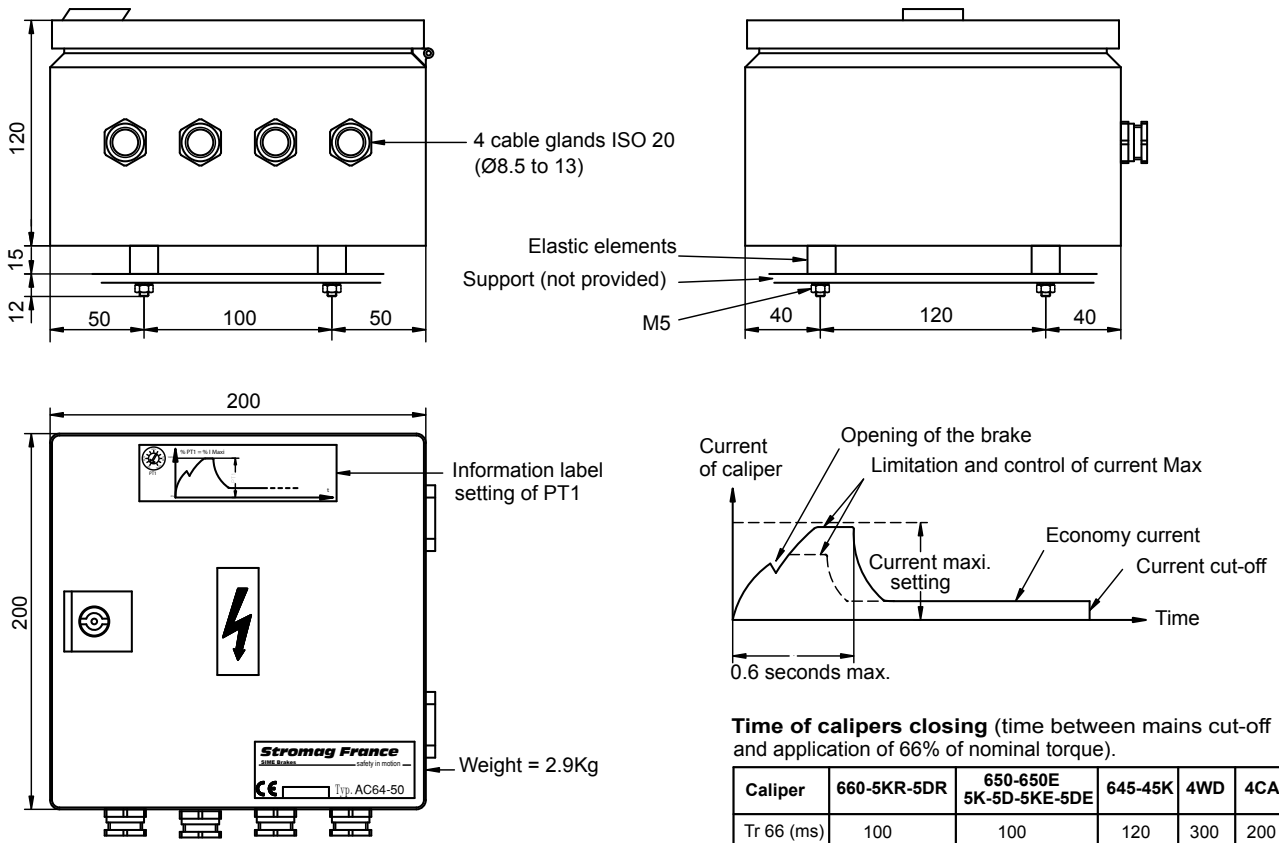
Single or two-phase mains AC
230 to 500V AC ± 10% 50/60Hz

EC marking of conformity :

- 2006/95/EC directive BT (standard EN60204-1)
- 2004/108/EC directive CEM (standards EN61000-6-2 EN61000-6-4)

Options:

- Closure delay of the caliper
- Disengageable closure delay of the caliper (cannot be combined with anti-condensation)
- Anti-condensation kit
- Polycarbonate case IP66 IK08



Due to continuous development and improvement, all dimensions and characteristics are subject to change without notice.

Disc brakes

Technical data and dimensions

Electrical power supply AC64-50 CA

Compact power supply operating on alternating single or two-phase mains.
For Stromag France Disc Brakes with 50 V coil.
type : 660/650-5K/5D-645-45K-4WD-4CA
Steel case

Electrical Data :
Single or two-phase mains AC
230 to 500V AC \pm 10% 50/60Hz

EC marking of conformity :
- 2006/95/EC directive BT (standard EN60204-1)
- 2004/108/EC directive CEM
(standards EN61000-6-2 EN61000-6-4)

Options:

- Closure delay of the caliper
- Disengageable closure delay of the caliper (cannot be combined with anti-condensation)
- Anti-condensation kit
- Polycarbonate case IP66 IK08

Operating Conditions:

- Casing protection standard IP66 IK09
- Ambient temperature : -20°C to +60°C

ELECTRICAL DANGER : THIS PRODUCT IS NOT INSULATED

Control and power electronic of power supply is not insulated and is under mains voltage. The power supply must be installed by qualified personnel, used to handle this equipment type and aware of risks inherent in their utilization.

Caliper		660-650-650E	5K-5D-5KR-5DR 5KE-5DE	645	45K	4WD	4CA					
Maximum number of calipers		2	2	2	2	2	1					
Resistance at 20°C per caliper (Ω)		6,68	6,68	4,52	4,52	4,52	3,08					
Maximum number of actuations per hour and ambient temperature θ	$\theta \leq 40^\circ\text{C}$	150	1000	150	1000	60	1000					
	$40^\circ\text{C} < \theta \leq 60^\circ\text{C}$	150	600	150	600	60	600					
Mains current absorbed per caliper	Max (A)	4	4	6	6	6	9					
	Economy (A)	0,6	0,6	0,75	0,75	0,75	1					
Maximum return resistance of the cable connecting the caliper to the power supply (Ω)		2	2	1	1	1	1 *					
Max. length of the connecting cable (Power supply - caliper) for 1 caliper per cable, depending on cable section	2,5 mm ² (m)	100	100	50	50	50	50 *					
	4 mm ² (m)	160	160	80	80	80	80 *					
	6 mm ² (m)	240	240	120	120	120	120 *					
Protection to be provided in head of control contactor on mains input	Number of caliper	1	2	1	2	1	2	1				
	Fuse aM (A)	1	2	1	2	2	4	2	4	2	4	4
	Circuit-breaker curve C (A)	1	2	1	2	2	4	2	4	2	4	4

* If the ambient temperature of the caliper 4CA is higher than 60°C, the maximum return resistance and the maximum length of the connecting cable given in the above table must be divided by 2.

Due to continuous development and improvement, all dimensions and characteristics are subject to change without notice.

Disc brakes

Technical data and dimensions

Electrical power supply AC64-50 CP

Compact power supply operating on alternating single or two-phase mains.
 For Stromag France Disc Brakes with 50 V coil.
 type : 660/650-5K/5D-645-45K-4WD-4CA
 Polycarbonate case

Electrical Data :
 Single or two-phase mains AC
 230 to 500V AC \pm 10% 50/60Hz

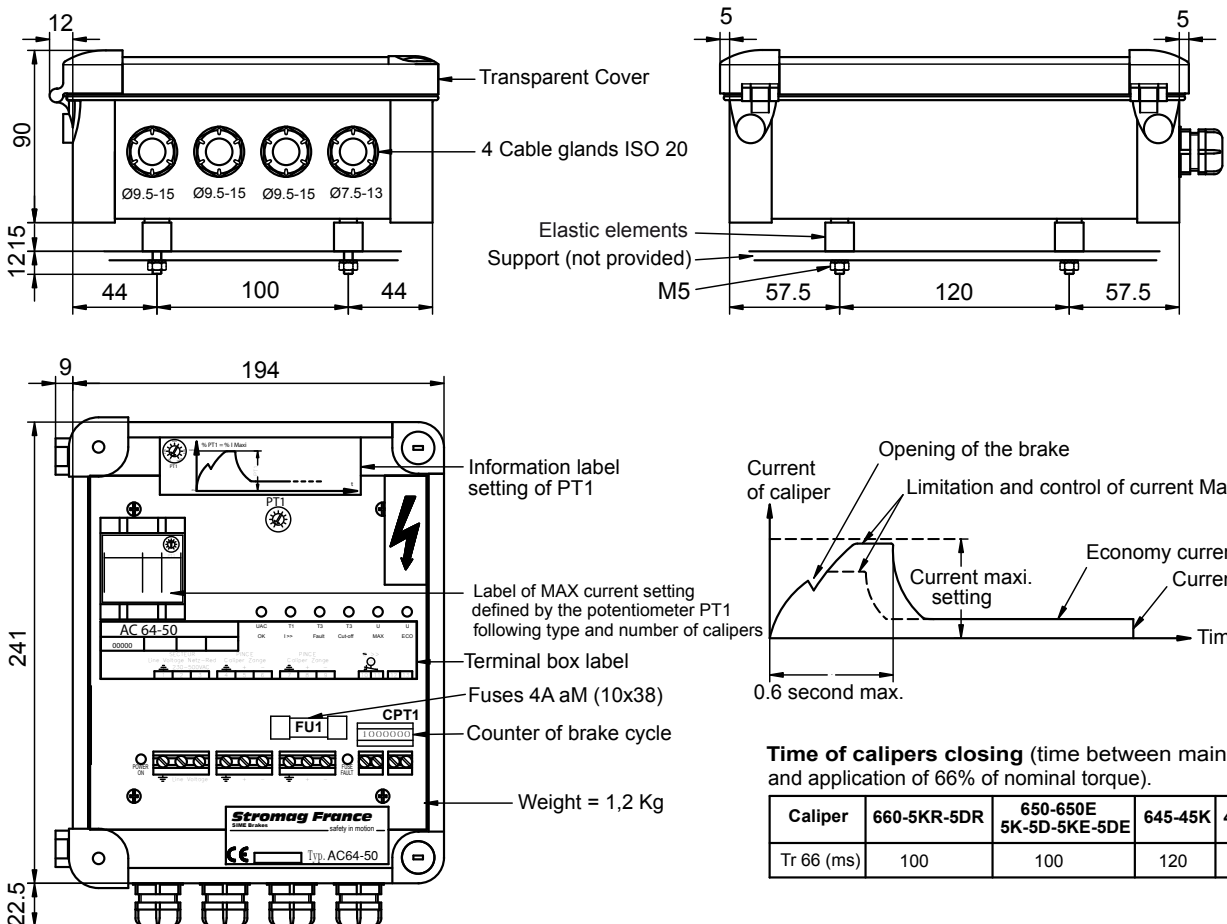
EC marking of conformity :
 - 2006/95/EC directive BT (standard EN60204-1)
 - 2004/108/EC directive CEM
 (standards EN61000-6-2 EN61000-6-4)

Options:

- Closure delay of the caliper
- Disengageable closure delay of the caliper (cannot be combined with anti-condensation)
- Anti-condensation kit
- Steel case IP66 IK09

Operating Conditions:

- Casing protection standard IP66 IK08
- Ambient temperature : -20°C to +60°C



Time of calipers closing (time between mains cut-off and application of 66% of nominal torque).

Caliper	660-5KR-5DR	650-650E 5K-5D-5KE-5DE	645-45K	4WD	4CA
Tr 66 (ms)	100	100	120	300	200

Due to continuous development and improvement, all dimensions and characteristics are subject to change without notice.

Disc brakes

Technical data and dimensions

Electrical power supply AC64-50 CP

Compact power supply operating on alternating single or two-phase mains.

For Stromag France Disc Brakes with 50 V coil.

type : 660/650-5K/5D-645-45K-4WD-4CA

Polycarbonate case

Single or two-phase mains AC
230 to 500V AC \pm 10% 50/60Hz

EC marking of conformity :

- 2006/95/EC directive BT (standard EN60204-1)

- 2004/108/EC directive CEM

(standards EN61000-6-2 EN61000-6-4)

- Closure delay of the caliper
- Disengageable closure delay of the caliper (cannot be combined with anti-condensation)
- Anti-condensation kit
- Steel case IP66 IK09

Operating Conditions:

- Casing protection standard IP66 IK08
- Ambient temperature : -20°C to +60°C

Electrical Data :

Options:

ELECTRICAL DANGER : THIS PRODUCT IS NOT INSULATED

Control and power electronic of power supply is not insulated and is under mains voltage. The power supply must be installed by qualified personnel, used to handle this equipment type and aware of risks inherent in their utilization.

Caliper		660-650-650E	5K-5D-5KR-5DR 5KE-5DE	645	45K	4WD	4CA
Maximum number of calipers		2	2	2	2	2	1
Resistance at 20°C per caliper (Ω)		6,68	6,68	4,52	4,52	4,52	3,08
Maximum number of actuations per hour and ambient temperature θ	$\theta \leq 40^\circ\text{C}$	150	1000	150	1000	60	1000
	$40^\circ\text{C} < \theta \leq 60^\circ\text{C}$	150	600	150	600	60	600
Mains current absorbed per caliper	Max (A)	4	4	6	6	6	9
	Economy (A)	0,6	0,6	0,75	0,75	0,75	1
Maximum return resistance of the cable connecting the caliper to the power supply (Ω)		2	2	1	1	1	1 *
Max. length of the connecting cable (Power supply - caliper) for 1 caliper per cable, depending on cable section	2,5 mm ² (m)	100	100	50	50	50	50 *
	4 mm ² (m)	160	160	80	80	80	80 *
	6 mm ² (m)	240	240	120	120	120	120 *
Protection to be provided in head of control contactor on mains input	Number of caliper	1 2	1 2	1 2	1 2	1 2	1
	Fuse aM (A)	1 2	1 2	2 4	2 4	2 4	4
	Circuit-breaker curve C (A)	1 2	1 2	2 4	2 4	2 4	4

* If the ambient temperature of the caliper 4CA is higher than 60°C, the maximum return resistance and the maximum length of the connecting cable given in the above table must be divided by 2.

Due to continuous development and improvement, all dimensions and characteristics are subject to change without notice.