

Discflex Couplings



RENOLD
Superior Coupling Technology

www.renold.com

RENOLD

Strength through Service

Renold Gears has been manufacturing high quality, high specification gear units for over 100 years and has always been at the leading edge of gear technology with innovative products and power transmission solutions.

Interchangeability

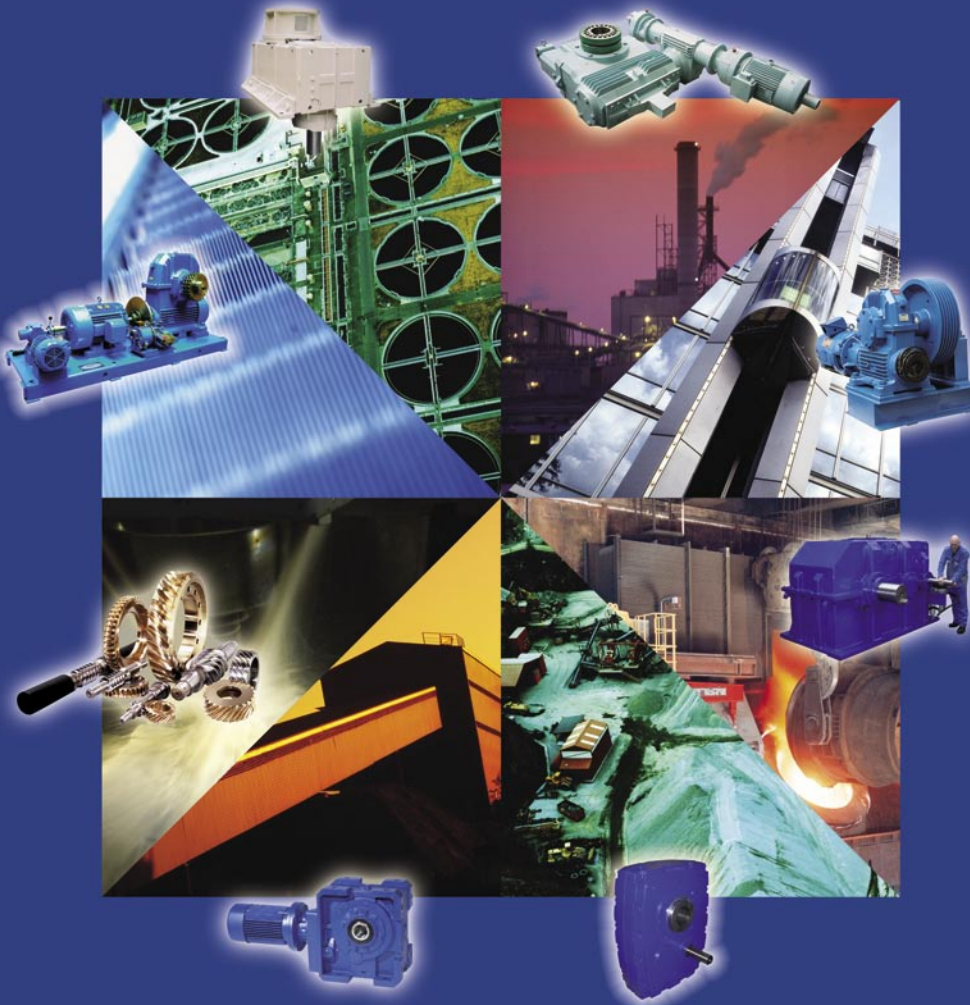
Many of the products from Renold Gears are dimensionally interchangeable with other manufacturers gear units, allowing a trouble free replacement of gearboxes, in most cases upgrading the capacity through state of the art technology and materials.

Custom Made

Renold Gears is unique in it's ability to offer custom made products designed to meet customers exacting requirements without compromise on availability and cost. From complete package solutions to individual precision replacement gears, all can be tailor made to meet specific applicational requirements.

Available

The most popular ranges of gearboxes are available from local distribution stock, backed up by extensive stocks from our manufacturing plant in the UK.



RENOLD

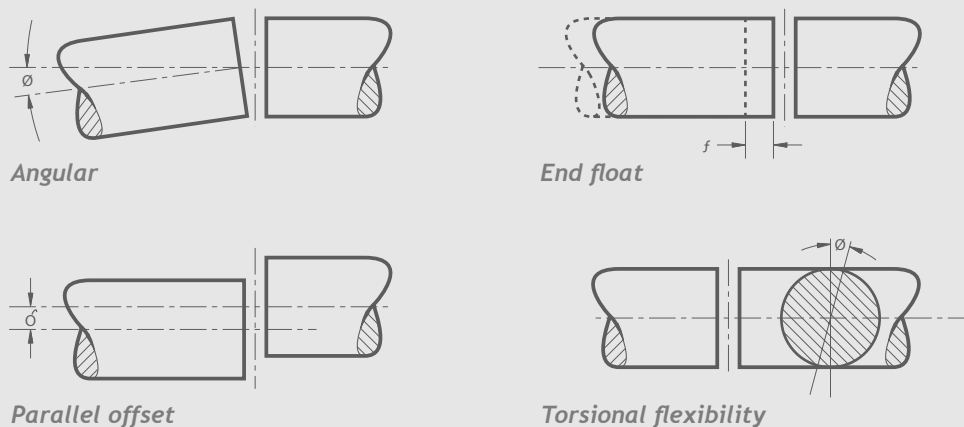
Superior Gear Technology

www.renold.com

Contents

	<i>Page No</i>
Renold Gears	inside front cover
Coupling Selection Guide	02
Load Classification by Application	03
Service Factors and Selection	04
Key and Keyway Dimensions	05
Discflex	06
Renold Chain	inside back cover

Coupling Selection Guide



Flexible Couplings should be used to accommodate any combination of misalignment conditions described below.

At installation all couplings should be aligned as near to perfect as possible.

1. Angular

Angular misalignment is present when the shaft axes are inclined one to the other. Its magnitude can be measured at the coupling faces.

2. Parallel Offset

Axial misalignment is present when the axes of the driving and driven shafts are parallel but laterally displaced.

3. End float (axial)

End float is the ability to accommodate a relative axial displacement of the connected shafts; achieved by sliding members or flexing of resilient components.

4. Torsional flexibility

Torsional flexibility is a design feature necessary to permit shock and impulsive loadings to be suitably dampened. It is achieved by the provision of a flexible medium such as rubber, springs, etc., between the two halves of the coupling.

Selection

In order to select the correct type and size of coupling, the following basic information should be known:

Power to be transmitted

- Normal.
- Maximum.
- Whether continuous or intermittent.

Characteristics of the drive

- Type of prime mover and associated equipment.
- Degree of impulsiveness of driven load.

Speed in revolutions per minute

- At which normal power is transmitted.
- At which maximum power is transmitted.
- Maximum speed.

Dimensions of shafts to be connected

- Actual diameter.
- Length of shaft extension.
- Full keyway particulars.

Selection

When the input drive is not steady (i.e. not from an electric motor), and/or the driven load is impulsive, the actual power is multiplied by a Service Factor from the Table 2 (page 13).

Selection Procedure

- Nominal power in kW to be transmitted = K .
- Select appropriate load classification from Table 1, denoted as either S, M or H.
- From Table 2, establish Service Factor(s) to be applied, taking into account hours of operation/day and prime mover = fD .
- From Table 3 select factor for the required frequency of starts/hr = fS .
- Selection Power $K_s = K \times fD \times fS$
- Equivalent power at 100 RPM = $\frac{K_s \times 100}{\text{RPM}}$
- Check that coupling selected will accept the required shaft diameters. Should shaft diameter exceed maximum permissible, then re-select using next larger size of coupling.

Load Classification by Application

Table 1

Agitators		Dry dock cranes		Planer feed chains	M	Presses	M
Pure liquids	S	Main hoist	(2)	Planer floor chains	M	Pulp machine reel	M
Liquids and solids	M	Auxiliary hoist	(2)	Planer tilting hoist	M	Stock chest	M
Liquids - variable density	M	Boom, luffing	(2)	Re-saw merry-go-round conveyor	M	Suction roll	M
Blowers		Rotating, swing or slew	(3)	Roll cases	H	Washers and thickeners	M
Centrifugal	S	Tracking, drive wheels	(4)	Slab conveyor	H	Winders	M
Lobe	M	Elevators		Small waste conveyor-belt	S	Printing presses	*
Vane	S	Bucket - uniform load	S	Small waste conveyor-chain	M	Pullers	
Brewing and distilling		Bucket - heavy load	M	Sorting table	M	Barge haul	H
Bottling machinery	S	Bucket - continuous	S	Tipple hoist conveyor	M	Pumps	
Brew kettles - continuous duty	S	Centrifugal discharge	S	Tipple hoist drive	M	Centrifugal	S
Cookers - continuous duty	S	Escalators	S	Transfer conveyors	M	Proportioning	M
Mash tubs - continuous duty	S	Freight	M	Transfer rolls	M	Reciprocating	
Scale hopper - frequent starts	M	Gravity discharge	S	Tray drive	M	single acting: 3 or more cylinders	M
Can filling machines	S	Man lifts	*	Trimmer feed	M	double acting: 2 or more cylinders	M
Cane knives (1)	M	Passenger	*	Waste conveyor	M	single acting: 1 or 2 cylinders	*
Car dumpers	H	Extruders (plastic)		Machine tools		double acting: single cylinder	*
Car pullers	M	Film	S	Bending roll	M	Rotary - gear type	S
Clarifiers	S	Sheet	S	Punch press - gear driven	H	Rotary - lobe, vane	S
Classifiers	M	Coating	S	Notching press - belt drive	*	Rubber and plastics industries	
Clay working machinery		Rods	S	Plate planners	H	Crackers (1)	H
Brick press	H	Tubing	S	Tapping machine	H	Laboratory equipment	M
Briquette machine	H	Blow moulders	M	Other machine tools		Mixed mills (1)	H
Clay working machinery	M	Pre-plasticiers	M	Main drives	M	Refiners (1)	M
Pug mill	M	Fans		Auxiliary drives	S	Rubber calenders (1)	M
Compressors		Centrifugal	S	Metal mills		Rubber mill, 2 on line (1)	M
Centrifugal	S	Cooling towers		Drawn bench carriage and main drive	M	Rubber mill, 3 on line (1)	S
Lobe	M	Induced draft	*	Pinch, dryer and scrubber rolls, reversing	*	Sheeter (1)	M
Reciprocating - multi-cylinder	M	Forced draft	*	Slitters	M	Tyre building machines	*
Reciprocating - single cylinder	H	Induced draft	M	Table conveyors nonreversing group drives	M	Tyre and tube press openers	*
Conveyors - uniformly loaded or fed		Large, mine etc.	M	Individual drives	H	Tubers and strainers (1)	M
Apron	S	Large, industrial	M	Reversing	*	Warming mills (1)	M
Assembly	S	Light, small diameter	S	Wire drawing and flattening machine	M	Sand muller	M
Belt	S	Feeders		Wire winding machine	M	Screens	
Bucket	S	Apron	M	Mills, rotary type		Air washing	S
Chain	S	Belt	M	Ball (1)	M	Rotary, stone or gravel	M
Flight	S	Disc	S	Cement kilns (1)	M	Travelling water intake	S
Oven	S	Reciprocating	H	Dryers and coolers (1)	M	Sewage disposal equipment	
Screw	S	Screw	M	Kilns other than cement	M	Bar screens	S
Conveyors - heavy duty not uniformly fed		Food industry		Pebble (1)	M	Chemical feeders	S
Apron	M	Beef slicer	M	Rod, plain & wedge bar (1)	M	Collectors	S
Assembly	M	Cereal cooker	S	Tumbling barrels	H	Dewatering screws	M
Belt	M	Dough mixer	M	Mixers		Scum breakers	M
Bucket	M	Meat grinder	M	Concrete mixers continuous	M	Slow or rapid mixers	M
Chain	M	Generators - not welding	S	Concrete mixers intermittent	M	Thickeners	M
Flight	M	Hammer mills	H	Constant density	S	Vacuum filters	M
Live roll	*	Hoists		Variable density	M	Slab pushers	M
Oven	M	Heavy duty	H	Oil industry		Steering gear	*
Reciprocating	H	Medium duty	M	Chillers	M	Stokers	S
Screw	M	Skip hoist	M	Oil well pumping	*	Sugar industry	
Shaker	H	Laundry		Paraffin filter press	M	Cane knives (1)	M
Crane Drives - not dry dock		Washers - reversing	M	Rotary kilns	M	Crushers (1)	M
Main hoists	S	Tumblers	M	Paper mills		Mills (1)	M
Bridge travel	*	Line shafts		Agitators (mixers)	M	Textile industry	
Trolley travel	*	Driving processing equipment	M	Barker - auxiliaries hydraulic	M	Batchers	M
Crushers		Light	S	Barker - mechanical	H	Calenders	M
Ore	H	Other line shafts	S	Barking drum	H	Cards	M
Stone	H	Lumber industry		Beater and pulper	M	Dry cans	M
Sugar (1)	M	Barkers, hydraulic, mechanical	M	Bleacher	S	Dryers	M
Dredges		Burner conveyor	M	Calenders	M	Dyeing machinery	M
Cable reels	M	Chain saw and drag saw	H	Calenders - super	H	Looms	M
Conveyors	M	Chain transfer	H	Converting machine except cutters, platers	M	Mangles	M
Cutter head drives	H	Craneway transfer	H	Conveyors	S	Nappers	M
Jig drives	H	De-barking drum	H	Couch	M	Pads	M
Manoeuvring winches	M	Edger feed	M	Cutters, platers	H	Range drives	*
Pumps	M	Gang feed	M	Cylinders	M	Slashers	M
Screen drive	H	Green chain	M	Dryers	M	Soapers	M
Stackers	M	Live rolls	H	Fell stretchers	M	Spinners	M
Utility winches	M	Log deck	H	Fell whipper	H	Tenter frames	M
		Log haul - incline	H	Jordans	M	Washers	M
		Log haul - well type	H	Log haul	H	Winders	M
		Log turning device	H			Windlass	*
		Main log conveyor	H				
		Off bearing rolls	M				

Key

S = Steady
M = Medium Impulsive
H = Highly Impulsive
* = Refer to Renold

(1) = Select on 24 hours per day service factor only.
(2) = Use service factor of 1.00 for any duration of service.
(3) = Use service factor of 1.25 for any duration of service.
(4) = Use service factor of 1.50 for any duration of service.

Note

Machinery characteristics and service factors listed in this catalogue are a guide only. Some applications (e.g. constant power) may require special considerations. Please consult Renold.

Service Factors and Selection

Table 2 Service Factor (f_D)

Prime mover (Drive input)	Driven machinery characteristics			
	Duration service hours/day	Steady load	Medium impulsive	Highly impulsive
Electric, air & hydraulic Motors or steam turbine (Steady input)	Intermittent - 3hrs/day max	0.90	1.00	1.50
	3 - 10	1.00	1.25	1.75
	over 10	1.25	1.50	2.00
Multi-cylinder I.C. engine (Medium impulsive input)	Intermittent - 3hrs/day max	1.00	1.25	1.75
	3 - 10	1.25	1.50	2.00
	over 10	1.50	1.75	2.25
Single-cylinder I.C. engine (Highly impulsive input)	Intermittent - 3hrs/day max	1.25	1.50	2.00
	3 - 10	1.50	1.75	2.25
	over 10	1.75	2.00	2.50

Table 3 Factor for Starts/Hour(f_S)

No of starts per hour	0-1	1-30	30-60	60-
Factor	1,0	1,2	1,3	1,5

Example of Selection

Coupling is required to transmit 7.5kW at 1440 RPM to connect an electric motor to a gear box driving a chain conveyor running for 18 hours/day and starting 15 times/hour. Shaft diameters /55mm respectively.

$$K = 7.5kW$$

From Table 1 Load Classification = M (medium impulsive)

From Table 2 Service Factor $f_D = 1.5$

From Table 3 $f_S = 1.2$

Therefore selection kW is:-

$$\begin{aligned} K_s &= K \times f_D \times f_S \\ &= 7.5 \times 1.5 \times 1.2 \\ &= 13.5 \text{ kW} \end{aligned}$$

$$\begin{aligned} \text{Equivalent power at 100 RPM} &= \frac{K_s \times 100}{\text{RPM}} \\ &= \frac{13.5 \times 100}{1440} \\ &= 0.9375kW @ 100RPM \end{aligned}$$

From page 17 selection is RSC110 (644911)
(maximum bore 55 mm).

Key Stress

1. Permissible key stress = 70N/mm²
2. Nominal torque $T_{KM} = K \times 9550 / \text{RPM Nm}$
3. Force at key $F = T_{KM} / r$
4. Shaft Rad r. metres
5. Key area $A = J \times \text{HUB length mm}$
(Obtain from relevant catalogue page).
6. Key stress $f_k = F/A \text{ N/mm}^2$
7. If resultant stress is less than 70 N/mm² key stress is acceptable.
If resultant f_k is greater than 70, consider either two keyways or extending hub length.
8. Example:

$$T_{KM} = 7.5 \times 9550/1440 = 49.7Nm$$

$$r = 55/2 = 27.5mm \div 1000 = 0.0275m$$

$$F = 49.7/0.0275 = 1741N$$

$$A = 16 \times 45 = 720mm^2$$

$$f_k = 1741/720 = 2.4M/mm^2$$
 Selection is therefore good.

For operation above 80% of the declared maximum coupling speed it is recommended that the coupling is dynamically balanced.



WARNING

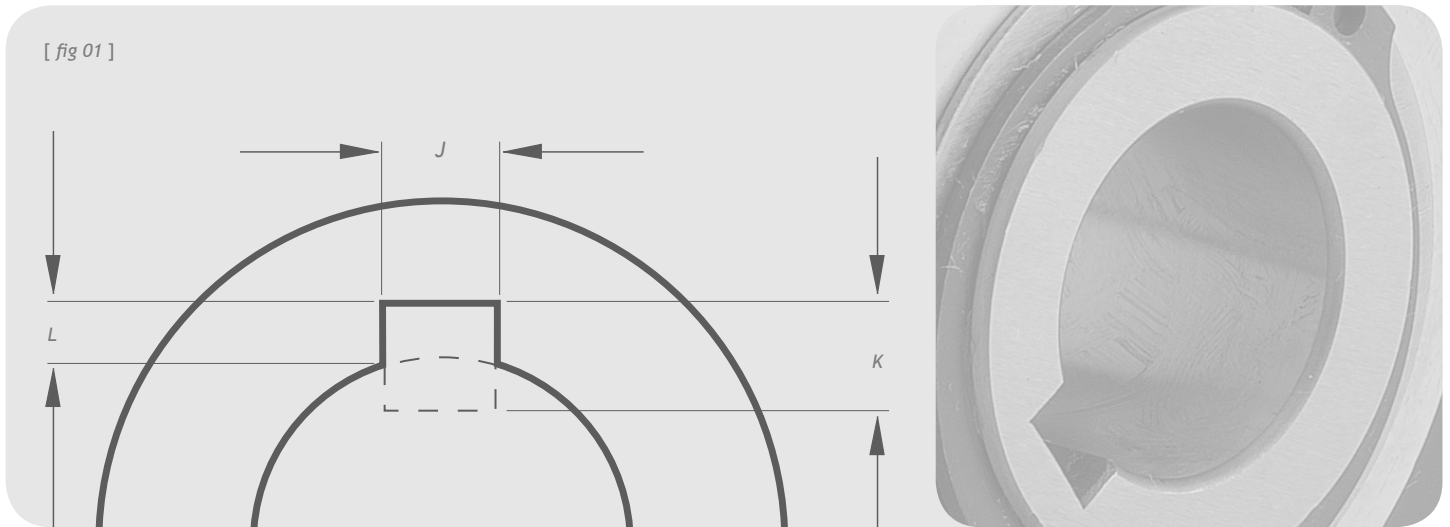
It is the responsibility of the system designer to ensure that the application of the coupling does not endanger the other constituent components in the system. Service factors given are an initial selection guide.



WARNING

Rotating equipment must be provided with a suitable guard before operating or injury may result.

Key and Keyway Dimensions



Metric (mm)

Keyways comply with BS4235: Part 1: 1972

Shaft dia.		Key & keyway		
Over	Incl.	J	K	L
6	8	2	2	1.0
8	10	3	3	1.4
10	12	4	4	1.8
12	17	5	5	2.3
17	22	6	6	2.8
22	30	8	7	3.3
30	38	10	8	3.3
38	44	12	8	3.3
44	50	14	9	3.8
50	58	16	10	4.3
58	65	18	11	4.4
65	75	20	12	4.9
75	85	22	14	5.4
85	95	25	14	5.4
95	110	28	16	6.4
110	130	32	18	7.4
130	150	36	20	8.4
150	170	40	22	9.4
170	200	45	25	10.4
200	230	50	28	11.4

Imperial (inches)

Keyways comply with BS46: Part 1: 1958

Shaft dia.		Key & keyway		
Over	Incl.	J	K	L
0.25	0.05	0.125	0.125	0.060
0.50	0.75	0.187	0.187	0.088
0.75	1.00	0.250	0.250	0.115
1.00	1.25	0.312	0.250	0.090
1.25	1.50	0.375	0.250	0.085
1.50	1.75	0.437	0.312	0.112
1.75	2.00	0.500	0.312	0.108
2.00	2.50	0.625	0.437	0.162
2.50	3.00	0.750	0.500	0.185
3.00	3.50	0.875	0.625	0.245
3.50	4.00	1.000	0.750	0.293
4.00	5.00	1.250	0.875	0.340
5.00	6.00	1.500	1.000	0.384

Keyway dimensions [fig 01]

Parallel keyways are supplied unless customer states otherwise.

Discflex



A general purpose fail safe, torsionally flexible coupling, offering the option of either urethane or reinforced rubber disc, as the flexible element.

Coupling capacity

- Maximum power @ 100RPM: 45kW
- Maximum torque: 4298Nm

Features and benefits

- Compact design, dimensionally small yet high power capacity.
- Torsionally flexible - shock absorbing, extending machine life.
- Maintenance free - minimum number of wearing parts.
- Misalignment capabilities allowing flexibility installation.
- Alternative flexible elements available for wide design choice.

- Optional fire retardant anti-static elements for use in flameproof environment.
- Taper bush bores available for ease of maintenance.

Standard range comprises

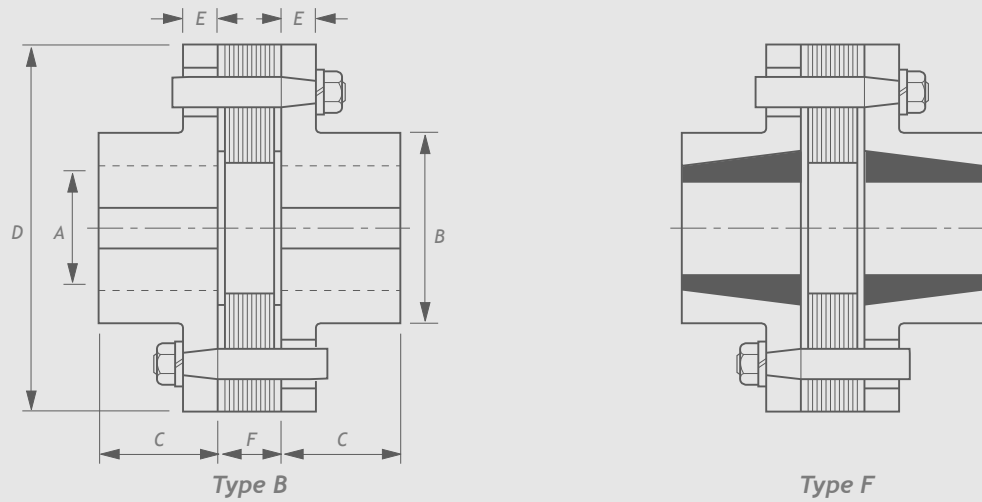
- Shaft to Shaft

Applications

- Bottling Machines
- Compressors
- Mixers
- Pumps
- Screens
- General Industrial Applications

Construction details

- Cast Iron Half Bodies
- Urethane Disc
Temp Range -40 to +80°C
- Rubber Reinforced Disc
Temp Range -40 to +90°C



Catalogue number	Power/ 100rpm kW	Torque nominal Nm	Speed max* rpm	Type B		Type F			Dimensions						End float mm
				Bore		Bush size	Bore		B mm	C mm	D mm	E mm	F mm	Mass kg	
				Max	Min		Max	Min							
D41# # N #	0.75	72	2900	32	12	TB1008	25	9	58	25	104	11	16	2.1	1.8
D52# # N #	1.5	143	2250	42	19	TB1215	32	11	72	41	133	13	22	4.9	2.5
D52# # S #	2.25	215											26	5.0	2.5
D52# #W #	3	287											31	5.1	2.5
D71# # N #	3.75	358	1650	60	28	TB2017	50	18	102	48	181	16	23	11.0	3
D71# # S #	5.25	501											27	11.1	3
D71# #W #	7.5	716											32	11.2	3
D89# # N #	9	860	1300	75	32	TB2525	60	19	121	70	225	18	28	20.8	3.8
D89# # S #	12	1146											40	21.0	3.8
D89# #W #	15	1433											47	21.7	3.8
D108# # NR	19	1791	1050	95	38	TB3030	75	35	155	83	274	22	47	40.0	4.6
D108# # SR	23	2149											51	40.0	4.6
D108# #WR	26	2507											63	41.0	4.6
D127# # NR	30	2865	900	110	55	TB3535	90	35	185	95	324	25	53	65.0	5.3
D127# # SR	38	3581											61	66.0	5.3
D127# #WR	45	4298											73	67.0	5.3

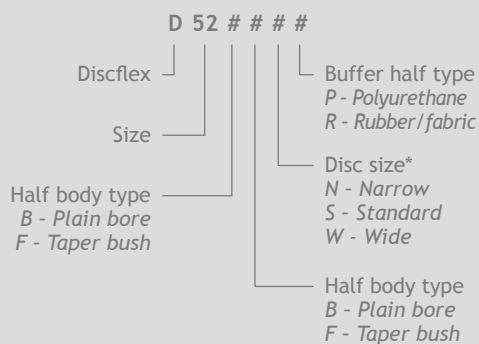
* Normal maximum speeds with 1° max. angular malalignment, above these speeds consult our Sales Technical Staff.

Max angular misalignment 1°

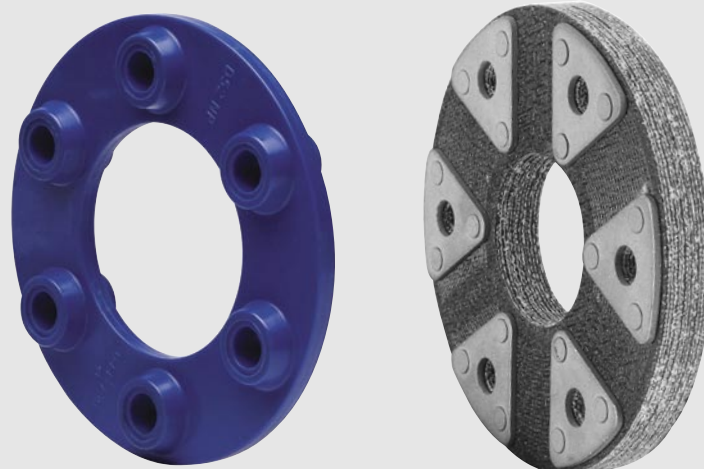
Max offset misalignment 0.5mm

Discflex

Ordering code



* Disc size depending on torque transmitted.



Component Spares

Coupling number	Product no 'BB' type	Product no 'FF' type	Polyurethane disc	Rubber/fabric disc	Pin assembly	Half body pilot bored	Half body taped bored
D41 ## NP	644763	644763/77	644733	-	644204	644205	644205/77
D41 ## NR	647263	647263/77	-	647233	644204	644205	644205/77
D52 ## NP	644766	644766/77	644736	-	644207	644208	644208/77
D52 ## NR	647266	647266/77	-	647236	644207	644208	644208/77
D52 ## SP	644767	644767/77	644737	-	644207	644208	644208/77
D52 ## SR	647267	647267/77	-	647237	644207	644208	644208/77
D52 ## WP	644768	644768/77	644738	-	644207	644208	644208/77
D52 ## WR	647268	647268/77	-	647238	644207	644208	644208/77
D71 ## NP	644769	644769/77	644739	-	644210	644211	644211/77
D71 ## NR	647269	647269/77	-	647239	644210	644211	644211/77
D71 ## SP	644770	644770/77	644740	-	644210	644211	644211/77
D71 ## SR	647270	647270/77	-	647240	644210	644211	644211/77
D71 ## WP	644771	644771/77	644741	-	644210	644211	644211/77
D71 ## WR	647271	647271/77	-	647241	644210	644211	644211/77
D89 ## NP	644772	644772/77	644742	-	644213	644214	644214/77
D89 ## NR	647272	647272/77	-	647242	644213	644214	644214/77
D89 ## SP	644773	644773/77	644743	-	644213	644214	644214/77
D89 ## SR	647273	647273/77	-	647243	644213	644214	644214/77
D89 ## WP	644774	644774/77	644744	-	644213	644214	644214/77
D89 ## WR	647274	647274/77	-	647244	644213	644214	644214/77
D108 ## NR	647275	647275/77	-	647245	644216	644217	644217/77
D108 ## SR	647276	647276/77	-	647246	644216	644217	644217/77
D108 ##WR	647277	647277/77	-	647247	644216	644217	644217/77
D127 ## NR	647278	647278/77	-	647248	644219	644220	644220/77
D127 ## SR	647279	647279/77	-	647249	644219	644220	644220/77
D127 ##WR	647280	647280/77	-	647250	644219	644220	644220/77

The best range of solution chain products available anywhere



RENOLD **Synergy**™

- High performance
- Superior wear life
- Outstanding fatigue resistance



RENOLD **Syno**™

- Maintenance free
- Self-lubricating chain
- Food industry-approved lubricant



RENOLD

- Best premium chain
- Leading performance
- Solid bush / solid roller / end softened pin



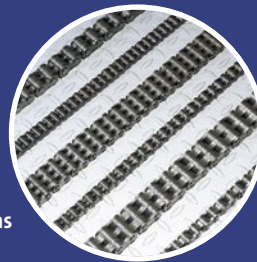
Hydro-Service™

- Superior corrosion resistant coating
- Alternative choice to stainless steel chain
- Will not chip or peel
- Hexavalent chrome-free



Steel Pin Bush Roller Chain

- Manufactured to international stds
- Full range of pitch alternatives
- Breaking loads 13 to 900 kN as std
- Attachments to suit varied applications



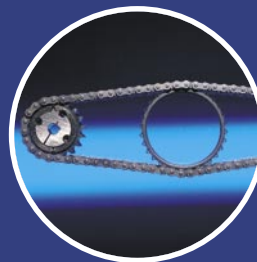
Leaf Chain

- Comprehensive ranges used worldwide for safety critical lifting applications
- 100 years experience in developing and maintaining lifting chain



Steel Knuckle Chain

- Heavy duty, detachable elevator chains
- Integral K type attachments
- Breaking loads from 642kN to 1724kN
- Sealed joint to extend chain life



Roll-Ring™

- Revolutionary chain tensioner
- Installed in seconds and self adjusting
- Maintenance free
- Also acts as noise damper



Customised Engineering Chain

- Wide range to suit specialised applications using high specification materials and treatment processes
- Designed in close collaboration with customer



Smartlink™

- Load monitoring technology
- Technical reports & data logging

RENOLD
Superior Chain Technology

AUSTRALIA

Melbourne (Victoria)
Tel + 61 (03) 9262 3333
Fax + 61 (03) 9561 8561
also at: Sydney, Brisbane, Adelaide, Perth,
Newcastle, Wollongong, Townsville

AUSTRIA

Vienna
Tel + 43 (0) 13303484 0
Fax + 43 (0) 13303484 5

BELGIUM

Brussels
Tel + 32 (0) 2 201 1262
Fax + 32 (0) 2 203 2210

CANADA

Brantford (Ontario)
Tel + 1 519 756 6118
Fax + 1 519 756 1767
also at: Montreal

CHINA

Shanghai
Tel + 86 21 5046 2696
Fax + 86 21 5046 2695

CZECH REPUBLIC

Jaroslavice
Tel + 42 67 7211074
Fax + 42 67 7211074

DENMARK

Brøndby (Copenhagen)
Tel + 45 43 452611
Fax + 45 43 456592

FRANCE

Seclin
Tel + 33 (0) 320 16 29 29
Fax + 33 (0) 320 16 29 00
Calais (chain only)
Tel + 33 (0) 321 97 99 45
Fax + 33 (0) 321 97 83 45

GERMANY

Mechernich
Tel + 49 (0) 2256 95 90 74
Fax + 49 (0) 2256 95 91 69
renold.deutschland@renold.com

HUNGARY

Budapest
Tel + 36 30 228 3269
Fax + 36 1 287 808
peter.toka@renold.com

INDIA

Colmatore
Tel +91 422 2532 357
Tel +91 422 2532 358
marketing@renold.in

MALAYSIA

Petaling Jaya
Tel + 603 5191 9880
Fax + 603 5191 9881
also at: Johor Bharu, Ipoh, Butterworth

NETHERLANDS

Amsterdam
Tel + 31 206 146661
Fax + 31 206 146391

NEW ZEALAND

Auckland
Tel + (0) 64 9 828 5018
Fax + (0) 64 9 828 5019
also at: Christchurch

SINGAPORE

Singapore
Tel + 65 6760 2422
Fax + 65 6760 1507

SOUTH AFRICA

Benoni
Tel + (0) 27 11 747 9500
Fax + (0) 27 11 747 9505
also at: Durban, Cape Town,
Port Elizabeth, Witbank

SPAIN

Renold Hi-Tec Couplings SA
Tel + 34 93 6380558
Fax + 34 93 6380737
renold@renold-hitec.com

SWEDEN

Brøndby (Copenhagen)
Tel + 45 43 245028
Fax + 45 43 456592

SWITZERLAND

Dübendorf (Zürich)
Tel + 41 (0) 1 824 8484
Fax + 41 (0) 1 824 8411
also at: Crissier (Lausanne)

UK

Renold Clutches & Couplings, Wales
Tel + 44 (0) 29 20792737
Fax + 44 (0) 29 20791360
couplings@cc.renold.com

Renold Hi-Tec Couplings, Halifax

Tel + 44 (0) 1422 255000
Fax + 44 (0) 1422 320273
couplings@hitec.renold.com

Renold Gears, Milnrow

Tel + 44 (0) 1706 751000
Fax + 44 (0) 1706 751001
sales@gears.renold.com

USA

Renold Ajax
Westfield, New York
Tel + 1 716 326 3121
Fax + 1 716 326 6121

WEB

www.renold.com

E-MAIL

enquiry@renold.com

For other country distributors please
contact Renold UK or visit the renold
website.

Whilst all reasonable care in compiling
the information contained in this brochure
is taken, no responsibility is accepted for
printing errors. All information contained
in this brochure is subject to change after
the date of publication.