

**Disc brake**

**Technical data and dimensions**

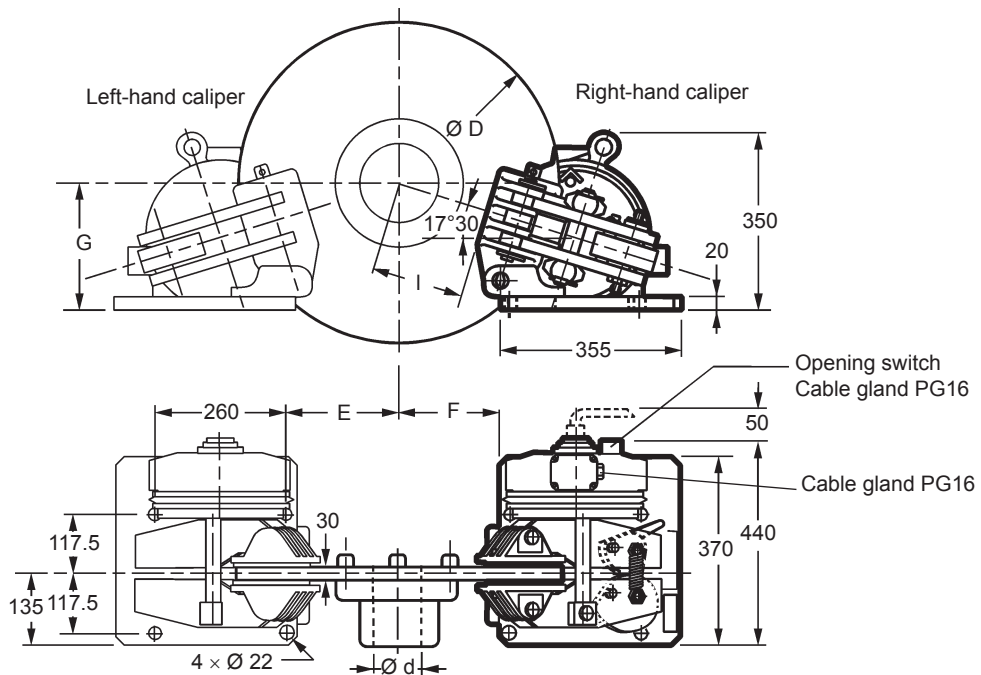
**Caliper 4CA2**

Fail safe braking  
Braking by spring application  
Electromagnetic release  
Automatic wear compensation  
Opening proving switch  
Brake pads with wear indicator

**Working conditions:**  
• Ambient temperature: -10°C to +60°C  
• Relative humidity ≤ 70%  
• Dust in atmosphere ≥ 65µ  
Other conditions, consult us.

**Use:**  
Any application up to 1000act/h

**Options:**  
• Manual release lever  
• Hydraulic release  
• Manual wear compensation  
• Flameproof protection  
• Marine protection  
• Closing proving switch  
• Switch on release nut



Weight: 120kg  
Response time at nominal torque:  $\Delta t \leq 0.2$  s

Discs		445	495	550	625	705	795	
Nominal torque for 1 caliper adjustable from -30 to +20%	N.m	950	1100	1270	1500	1750	2000	
Maximum disc speed for nominal torque	r.p.m.	2100	1900	1800	1500	1300	1200	
D	mm	445	495	550	625	705	795	
d	mm	0-70	0-100	0-100	0-100	0-120	0-130	
E	mm	130	160	180	215	255	295	
F	mm	110	140	160	195	235	275	
G	mm	225	235	240	250	260	275	
I (approx. dimension)	mm	90	125	145	180	225	265	
Maximum reaction on shaft	1 caliper	N						7400
	2 calipers	N						4450

**Technical data :**

Opening proving switch :  
250VAC maxi., 5A maxi., with interrupting capacity : 50VA maxi.  
220VDC maxi., 5A maxi., with interrupting capacity : 50W maxi.

Compatible with PLC (Programmable Logic Controllers).  
An opening switch used with other equipment than PLC must not be reused with a PLC.

Due to continuous development and improvement, all dimensions and characteristics are subject to change without notice.

Discs	Leaflet No. T02220-01	Options	Leaflet No. A10048-01	01/12/11
Drawings	No. G10047-01	Power supplies AC32	No. T10005-01 / T10006-01 / T10007-01 / T10008-01	<b>T10049-01-C</b>
Installation and maintenance	No. M10048-01	Power supplies AC64	No. T04500-01 / T04510-01 / T04530-01 / T04540-01	
Spare parts	No. S10048-01			